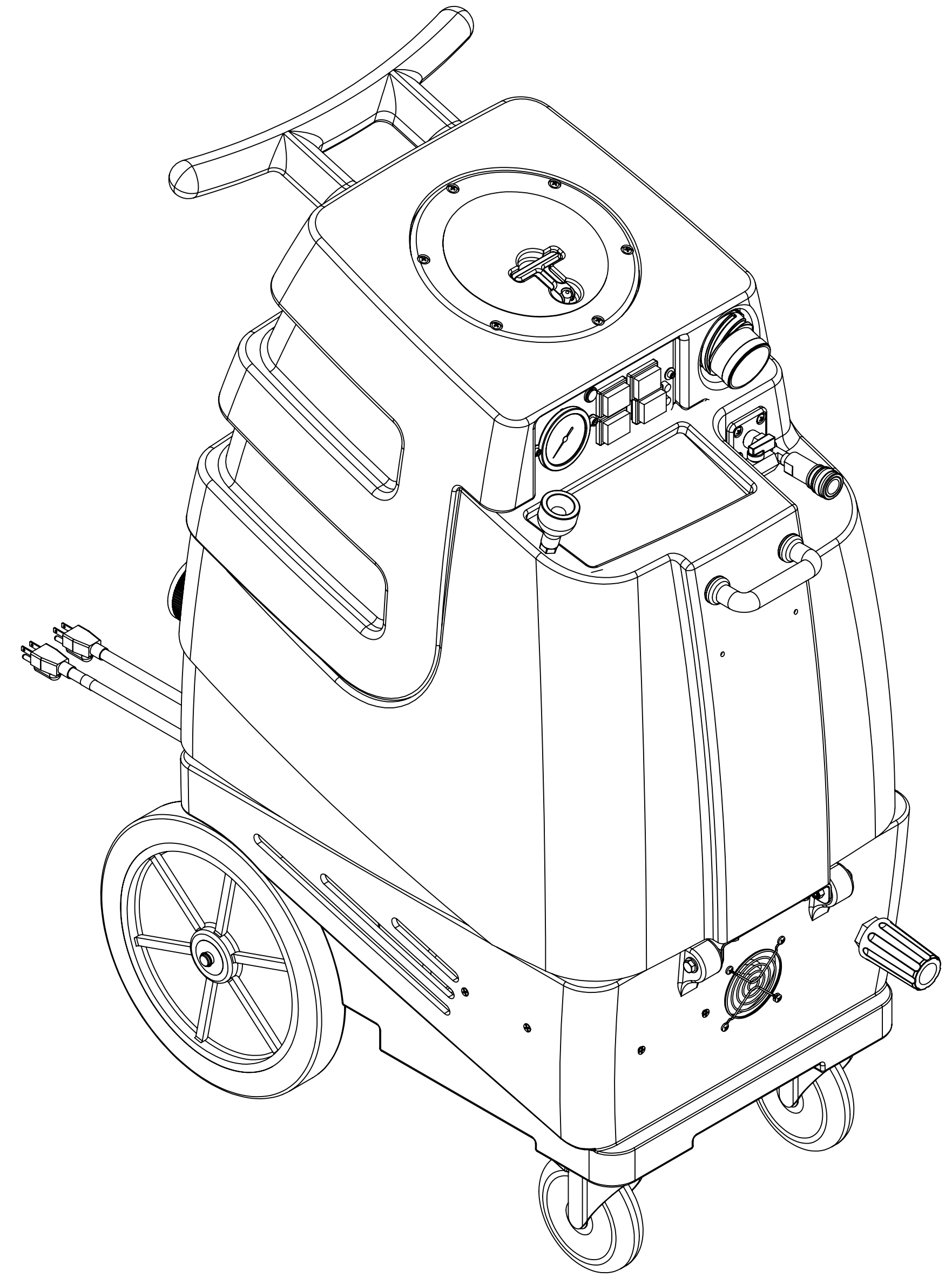


ITEM NO.	PART NO.	DESCRIPTION	QTY.	MSRP
1	H296	guard, cooling fan, wire	2	\$2.99 ea
2	H304	screw, #8 x 5/8 phil oval, s/s	14	\$0.99 ea
3	H186	screw, 10-32 x 3/4, phil flat full thread	4	\$0.99 ea
4	E370	controller, water level, dual pump or vac	1	\$133.99 ea
5	H273	nut, kep, #10-32 zinc	8	\$0.99 ea
6	H216	nut, lock, 1/4-20, nylon insert, s/s	14	\$0.99 ea
7	H210	washer, 1/4" flat, s/s	26	\$0.99 ea
8	H342	bolt, 1/4-20 x 1" hex head, s/s	12	\$0.99 ea
9	H666	caster, 5", Black hub & gray tread	2	\$23.19 ea
10	E564	controller, circuit light	1	\$62.99 ea
11	H254	washer, axle, cut 1/2" id	6	\$0.99 ea
12	H371	axle, 18.03" x .50" dia	1	\$9.99 ea
13	H251	wheel, 12"	2	\$41.99 ea
14	H042	c-clip, 12mm, external	2	\$0.99 ea
15	H221	nut, lock, 1/2" steel	2	\$1.99 ea
16	H220	fitting, strain relief, cord	2	\$3.19 ea
17	E550	power cord, pigtail, 30', 12/3, black	2	\$11.49 ea
18	P731	base	1	\$141.99 ea
19	H256	screw, 10-32 x 3/4" phil pan head, zinc	6	\$0.99 ea
20	H528	bracket, heater mounting, dual	1	\$29.99 ea
21	H903A	heater, aluminum cast, single	2	\$78.99 ea
22	E571	heating rod, 600W, 115V	1	\$49.99 ea
23	E574	Thermostat, 310°F ± 10°F, Manual, 1/4"	2	\$17.99 ea
24	H274	screw, 6 x 3/16, phil pan head, self-tapping	10	\$0.99 ea
25	E573	Thermostat, 200°, Auto, 1/4"	2	\$16.49 ea
26	E519	heating rod, 1000W, 115V	1	\$51.99 ea
27	B207	elbow, brass, 90 deg, 1/4" fpt x 1/4" fpt	2	\$5.99 ea
28	B107	nipple, brass, 1/4"m, hex	6	\$3.19 ea
29	AH156	hose, 3/8" x 6.5", (OAL), f x fsw, 5400 Gray	1	\$23.99 ea
30	B103	elbow, brass, 90 deg, 1/4"mpt x 1/4" fpt	5	\$4.49 ea
31	B113	tee, brass, 1/4" fpt	1	\$6.99 ea
32	B643	adapter, brass, 3/8" frnpt x 1/4" mnpt	1	\$4.99 ea
33	AH120	sol hose, 28" x 1/4", 1/4 fpt	1	\$35.99 ea
34	B259	qd, brass, 1/4" fqd x mpt	1	\$11.99 ea
35	B260	qd, brass, 1/4" maq x fpt	1	\$10.49 ea
36	AH184	hose, pulse, 3/8" x 17-1/2", (OAL)	2	\$31.99 ea
37	B652	elbow, brass, 90 deg, 3/8"mpt x 1/4"mpt	3	\$8.49 ea
38	B259A	qd, brass, 1/4" fqd x fpt	3	\$15.99 ea
39	B260A	qd, brass, 1/4" maq x fpt	3	\$8.99 ea
40	C313A	pump, CAT, 50-500 PSI, 120/240v	1	\$599.99 ea
41	B186	elbow, brass, 90 deg, 3/8"mpt x 3/8" fmpt	2	\$8.99 ea
42	B105	bushing, brass, 3/8"mpt x 1/4"	1	\$3.19 ea
43	PH615-36	sol hose, 1/2" kuri 100psi	1	\$8.99/ft
44	B644	adapter, brass, 1/2" barb x 1/4" mpt	1	\$2.49 ea
45	B173	ferrule, 1/2", brass	2	\$0.99 ea
46	B160	adapter, brass, 1/2" barb x 3/8" fsw, ball end	1	\$3.49 ea
47	B110	adapter, brass, 1/4" sw barb x 1/4" fpt, w/gasket	1	\$3.99 ea
48	PH634-20	sol hose, 1/4", 300psi, black	1	\$6.49/ft
49	B170	ferrule, 1/4" brass	3	\$0.99 ea
50	B119	filter, strainer, 1/4"	1	\$3.99 ea
51	B152	elbow, brass, 90 deg, 1/4" barb x 1/4" mpt	1	\$5.49 ea
52	H044	bracket, regulator, panel mount	1	\$27.99 ea
53	B127	plug, brass, 1/4"mpt, hex	1	\$0.99 ea
54	C313C	regulator, 450 psi, silver spring	1	\$86.99 ea
55	H770	bolt, 1/4-20 x 1/2" serrated hex flange, zinc	8	\$0.99 ea
56	H912	bracket, rear, fb/spy	1	\$9.99 ea
57	H124	Cuff-Lynx, 2" mpt x 2" female cuff	2	\$3.99 ea
58	H194	coupler, 2" dia x 2.5" length, s/s	2	\$10.00 ea
59	H217	clamp, hose, 2-1/4 dia	4	\$1.49 ea
60	PH628-20	vac hose, 2", wire reinforced	2	\$8.99/ft
61	P732	sol tank	1	\$141.99 ea
62	H390A	bracket, "L"	2	\$6.99 ea
63	PH612-60	clear tubing, 1/2" OD x 3/8" ID, faucet fill	1	\$1.99/ft
64	B241	adapter, brass, 3/8" barb x 1/4"mpt	1	\$1.99 ea
65	H178	faucet fill	1	\$10.99 ea
66	G018	cover, sol tank (sp)	1	\$12.99 ea
67	H203	bolt, 1/4-20 x 1-1/4"	2	\$0.99 ea
68	H211	washer, 1/4" id x 1" od, flat, s/s	6	\$0.99 ea
69	G052	washer, buna 1-1/8" od x 3/16" id	6	\$1.99 ea

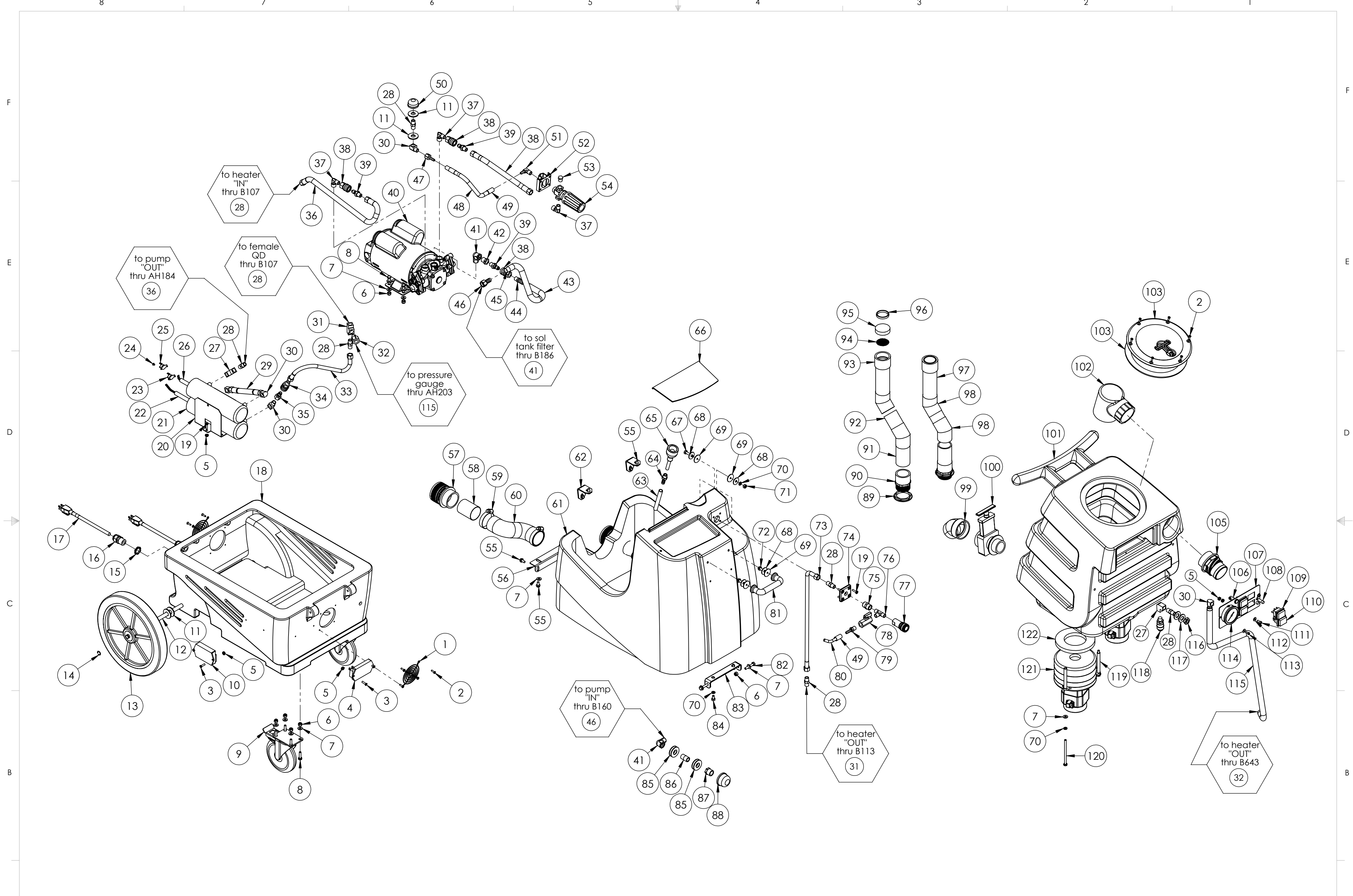
ITEM NO.	PART NO.	DESCRIPTION	QTY.	MSRP
70	H213	washer, 1/4" lock, s/s	10	\$0.99 ea
71	H215	nut, hex, 1/4-20 s/s	2	\$0.99 ea
72	H768	bolt, 1/4-20 x 3/4" serrated hex flange, zinc	2	\$0.99 ea
73	AH108S	sol hose, 1/4" x 24 1/2", (OAL)	1	\$26.49 ea
74	H484	plate, mounting, QD	1	\$4.99 ea
75	B142	coupling, brass, 1/4" fpt x 1/4" fpt	1	\$4.49 ea
76	B135	tee, brass, 1/4" mpt	1	\$5.49 ea
77	B102	qd, brass, 1/4" f x 1/4" fpt	1	\$17.99 ea
78	B656	ball valve, 1/4"	1	\$13.49 ea
79	B109	adapter, brass, 1/4" barb x 1/4" mpt	1	\$1.99 ea
80	PH634-36	sol hose, 1/4", 300 PSI	1	\$6.49 ft
81	H485	handle, aluminum grip, black	1	\$6.99 ea
82	H316	bolt, 1/4x1-1/2", hex head zinc	2	\$0.99 ea
83	H378	bracket, front hinge, sp/fb	1	\$8.99 ea
84	H201	bolt, 1/4-20 x 1/2", hex head, zinc	2	\$0.99 ea
85	H299	washer, 11/16" id x 1-1/2" od x .075, s/s	4	\$0.99 ea
86	B216	nipple, brass, 3/8" x close	1	\$1.99 ea
87	B210	bushing, brass, 1/2"mpt x 3/8" fpt, hex	1	\$2.49 ea
88	B119A	filter, strainer, 1/2"	1	\$6.49 ea
89	H314	nut, lock, 1-1/2", steel	2	\$1.99 ea
90	P520	adapter, pvc, 1-1/2" mpt x 1-1/2" fms	2	\$2.99 ea
91	PH633-4	pipe, pvc, 1-1/2"	2	\$4.99/ft
92	PH633-03	pipe, pvc, 1-1/2"	2	\$4.99/ft
93	P502	adapter, 1.5" pvc, fslip x fslip	2	\$5.00 ea
94	G097	screen, mesh filter, 1-1/2" dia	2	\$4.99 ea
95	G003	filter, foam, 2" x .50" o.d.	2	\$1.99 ea
96	PH633-1	pipe, pvc, 1-1/2"	2	\$4.99 ft
97	PH633-06	pipe, pvc, 1-1/2"	2	\$4.99 ft
98	P503	adapter, 1.5" pvc, 45 deg, fslip x fslip	4	\$3.29 ea
99	H226	spout, drain, 45 degree	1	\$3.19 ea
100	H225	valve, drain, 1-1/2"	1	\$20.99 ea
101	P733	vac tank	1	\$190.99 ea
102	A926	elbow, inlet assembly 2"	1	\$15.99 ea
103	G091	gasket, 7", vac lid	1	\$11.99 ea
103	G090	lid, vac tank, clear, 7"	1	\$36.99 ea
105	H135	Cuff-Lynx, 2" m cuff x 2" mpt	1	\$3.99 ea
106	E512B	light, indicator, 125v (amber)	1	\$9.99 ea
107	H337	plate, switch, 1003DX, 1005DX	1	\$8.99 ea
108	E511	light, red, 250v	2	\$5.99 ea
109	E515	switch, rocker, 2 position	3	\$13.99 ea
110	E516	switch, rocker, 3 position	1	\$14.99 ea
111	H389	screw, 10-32 x 1/2" SHCS, alloy	1	\$0.99 ea
112	H612	Washer, #8, flat regular	3	\$0.99 ea
113	H246	screw, 8-32 x 3/8" SHCS, alloy, Black	2	\$0.99 ea
114	H308D	gauge, pressure, 2000psi	1	\$38.99 ea
115	AH203	hose, pulse, 38" x 34"	1	\$47.99 ea
116	B156	nut, 1/4" npt	1	\$1.99 ea
117	H212	flat washer, 9/16" ID x 1 1/16" OD, AN960-C916	2	\$0.99 ea
118	E373	level switch, vacuum shut-off, rear threads	1	\$13.99 ea
119	H503	vac support, 3 stage, 3.25", no thrds	6	\$3.99 ea
120	H096	bolt, hex, 1/4-20 x 4", zinc Finish	6	\$0.99 ea
121	C302LA	vac motor, 3 stage, low amp	2	\$139.99 ea
122	G004	gasket, vacuum motor	2	\$8.99 ea

ITEMS NOT SHOWN

PART NO.	DESCRIPTION	QTY.	MSRP
E380	harness, electrical	1	\$129.99 ea
G008	piglet filet	1	\$6.29 pak
H375	hanger, wire formed, hose	1	\$10.99 ea
H230	screw, 10-32 x 1/2" phil pan head, s/s	2	\$0.99 ea
H141	Cuff-Lynx, 2" to 1.5" reducer	1	\$3.99 ea
E530	power cord, ext 50', 12/3 black	2	\$74.99 ea
H110	Cuff-Lynx, 2" hose x 2" fem swivel Cuff-Lynx	1	\$3.99 ea
P568A	cord lock, s-type	2	\$8.99 ea
P590	cuties, 1/4" qd, standard pack of 2	1	\$2.99 ea
ADM-SPEEDSTERS	manual, speedsters	1	

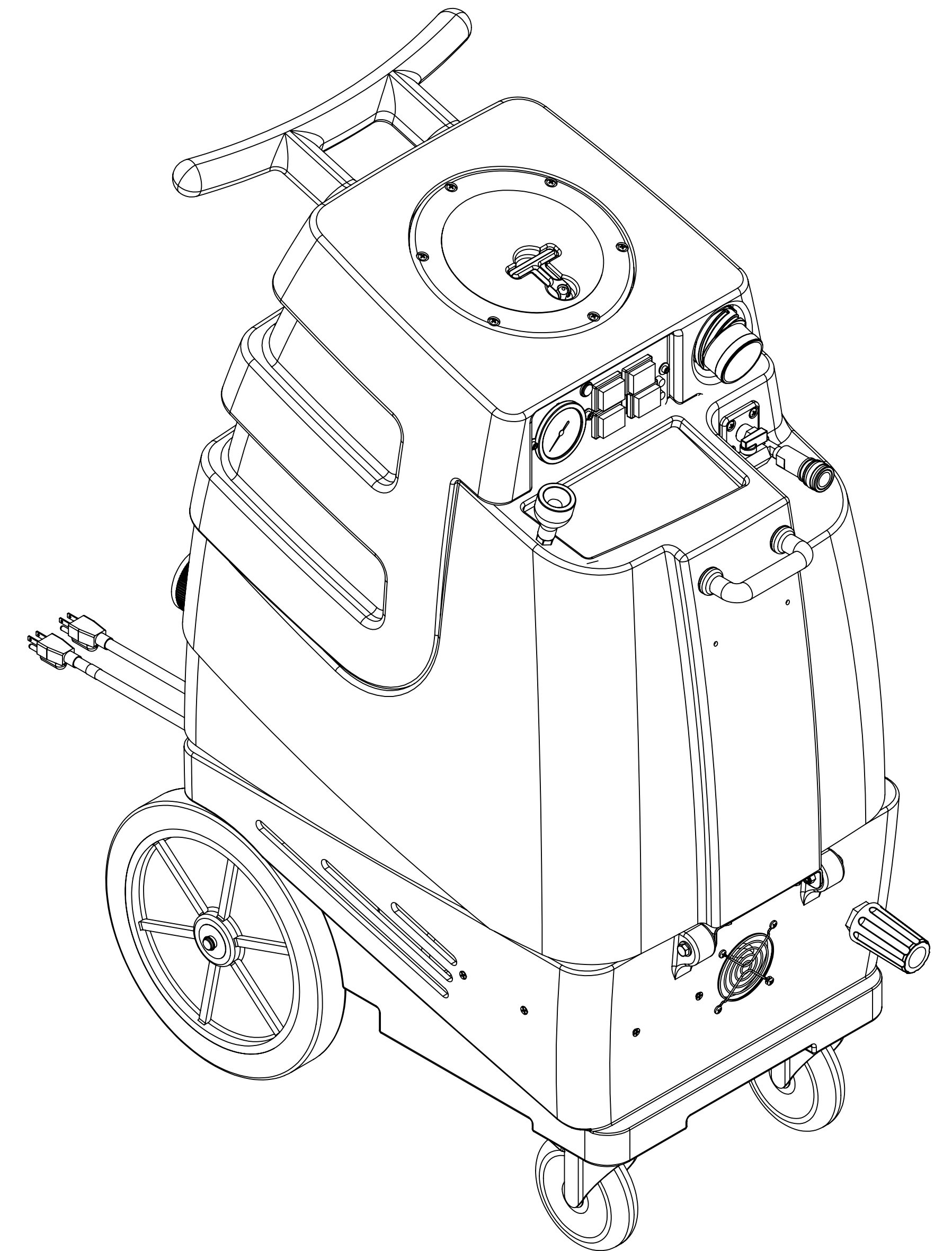


NAME	DATE	MYTEE PRODUCTS, INC. 888-679-1191	
DRAWN M. LaBarbera	10/2013	TITLE: speedster	
CHECKED		REV F	
COMMENTS:		SCALE: 1:48	SHEET 1 OF 3
<small> PROPRIETARY AND CONFIDENTIAL THE INFORMATION CONTAINED IN THIS DRAWING IS THE SOLE PROPERTY OF MYTEE PRODUCTS, INC. ANY REPRODUCTION IN PART OR AS A WHOLE WITHOUT THE WRITTEN PERMISSION OF MYTEE PRODUCTS, INC. IS PROHIBITED. </small>			



	NAME	DATE	MYTEE PRODUCTS, INC. 858-679-1191	
DRAWN	M.LaBarbera	10/2013	TITLE:	
CHECKED			speedster	
COMMENTS:	PROPRIETARY AND CONFIDENTIAL THE INFORMATION CONTAINED IN THIS DRAWING IS THE SOLE PROPERTY OF MYTEE PRODUCTS, INC. ANY REPRODUCTION IN PART OR AS A WHOLE WITHOUT THE WRITTEN PERMISSION OF MYTEE PRODUCTS, INC. IS PROHIBITED.			
SIZE	DWG. NO.	REV		
C	1003DX	F		
SCALE: 1:48	DO NOT SCALE DRAWING	SHEET 2 OF 3		

REVISIONS			
REV.	DESCRIPTION	DATE	APPROVED
OD	ORIGINAL DRAFT	-	JFL
A	REPLACED G003 W G022	8/2013	JFL
B	REPLACED H033 W H342, ADDED H210 & H216	10/8/2013	JFL
C	G021 REPLACED W G097	10/25/2013	JFL
D	REPLACED H219 W H042	8/8/2014	ML
E	REPLACED H347 W B170 & B173; G022 W G003	8/15/2014	ML
F	ADDED B241	4/16/2015	ML



NAME	DATE	MYTEE PRODUCTS, INC. 888-679-1191	
DRAWN M. LaBarbera	10/2013	TITLE: speedster	
CHECKED		SIZE DWG. NO. REV D 1003DX F	
COMMENTS: PROPRIETARY AND CONFIDENTIAL		SCALE: 1:48 DO NOT SCALE DRAWING SHEET 3 OF 3	
THE INFORMATION CONTAINED IN THIS DRAWING IS THE SOLE PROPERTY OF MYTEE PRODUCTS, INC. ANY REPRODUCTION IN PART OR AS A WHOLE WITHOUT THE WRITTEN PERMISSION OF MYTEE PRODUCTS, INC. IS PROHIBITED.			

REV
D 1003DX (9-2012)